

# EasySolar 5kVA

The all-in-one solar power solution

### The all-in-one solar power solution

The EasySolar combines a MPPT solar charge controller, an inverter/charger and AC distribution in one enclosure.

The product is easy to install, with a minimum of wiring.

### Color Control panel

Two outstanding functions:

- Prioritizes battery charging by the MPPT charge controller
- Connects to the internet, enabling remote monitoring (VRM website) and remote control.

### AC distribution

The AC distribution consists of a RCD (30mA / 63A) and four AC outputs protected by two 10A and two 16A circuit breakers.

An additional 16A output is controlled by the AC input: it will switch on only when AC is available.

### PowerAssist

Unique PowerAssist technology protects the utility or generator supply from being overloaded by adding extra inverter power when needed.

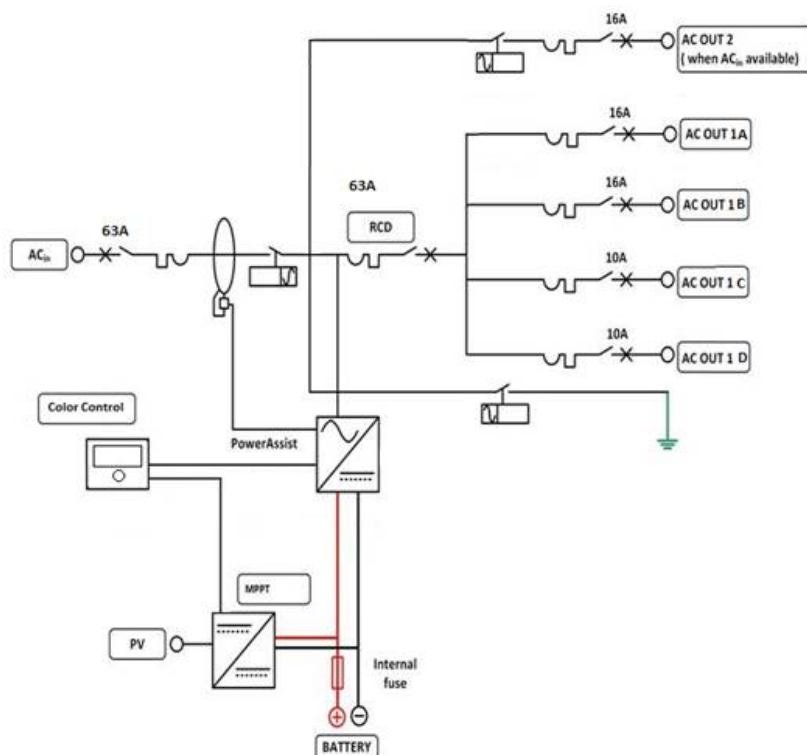
### Unique solar application software

Several software programs (Assistants) are available to configure the system for various grid interactive or stand-alone applications. Please see

<http://www.victronenergy.nl/support-and-downloads/software/>



EasySolar 5kVA



EasySolar	EasySolar 48/5000/70-100 MPPT150/100	
<b>INVERTER/CHARGER</b>		
Transfer switch	100A	
<b>INVERTER</b>		
Input voltage range	38 – 66V	
'Heavy duty' output AC 2	16 A	
Output AC 1a, 1b, 1c, 1d	Output voltage: 230 VAC ± 2% Frequency: 50 Hz ± 0,1% (1)	
Cont. output power at 25°C (3)	5000VA / 4000W	
Cont. output power at 40°C	3700W	
Cont. output power at 65°C	3000W	
Peak power	10000W	
Maximum efficiency	95%	
Zero load power	35W	
Zero load power in search mode	15W	
<b>CHARGER</b>		
AC Input	Input voltage range: 187-265 VAC Input frequency: 45 – 65 Hz    Power factor: 1	
Charge voltage 'absorption'	57,6V	
Charge voltage 'float'	55,2V	
Storage mode	52,8V	
Charge current	70A	
Battery temperature sensor	yes	
Programmable relay (5)	yes	
Protection (2)	a - g	
<b>SOLAR CHARGE CONTROLLER</b>		
Model	MPPT 150/100-MC4	
Maximum output current (4)	100A	
Maximum PV power	5800W	
Maximum PV open circuit voltage	150V	
Maximum efficiency	98%	
Self-consumption	10mA	
Charge voltage 'absorption', default setting	57,6V	
Charge voltage 'float', default setting	55,2V	
Charge algorithm	multi-stage adaptive	
Temperature compensation	-64mV / °C	
Protection	a - g	
<b>COMMON CHARACTERISTICS</b>		
Operating temp. range	-40 to +65°C (fan assisted cooling)	
Humidity (non-condensing):	max 95%	
<b>ENCLOSURE</b>		
Material & Colour	aluminium (blue RAL 5012)	
Protection category	IP 21	
Battery-connection	Four M8 bolts (2 plus and 2 minus connections)	
PV connection	Three sets of MC4 PV connectors	
230 V AC-connection	Screw terminals 13mm <sup>2</sup> (6 AWG)	
Weight	48kg	
Dimensions (hxwx d)	877 x 328 x 241	
<b>STANDARDS</b>		
Safety	EN 60335-1, EN 60335-2-29, EN 62109-1	
Emission / Immunity	EN 55014-1, EN 55014-2, EN 61000-3-3, EN 61000-6-3, EN 61000-6-2, EN 61000-6-1	
Anti-islanding	See our website	
1) Can be adjusted to 60Hz and to 240V 2) Protection: a. Output short circuit b. Overload c. Battery voltage too high d. Battery voltage too low e. Temperature too high f. 230 VAC on inverter output g. Input voltage ripple too high	3) Non-linear load, crest factor 3:1 4) At 25°C ambient 5) Programmable relay which can be set for general alarm, DC under voltage or genset start signal function	