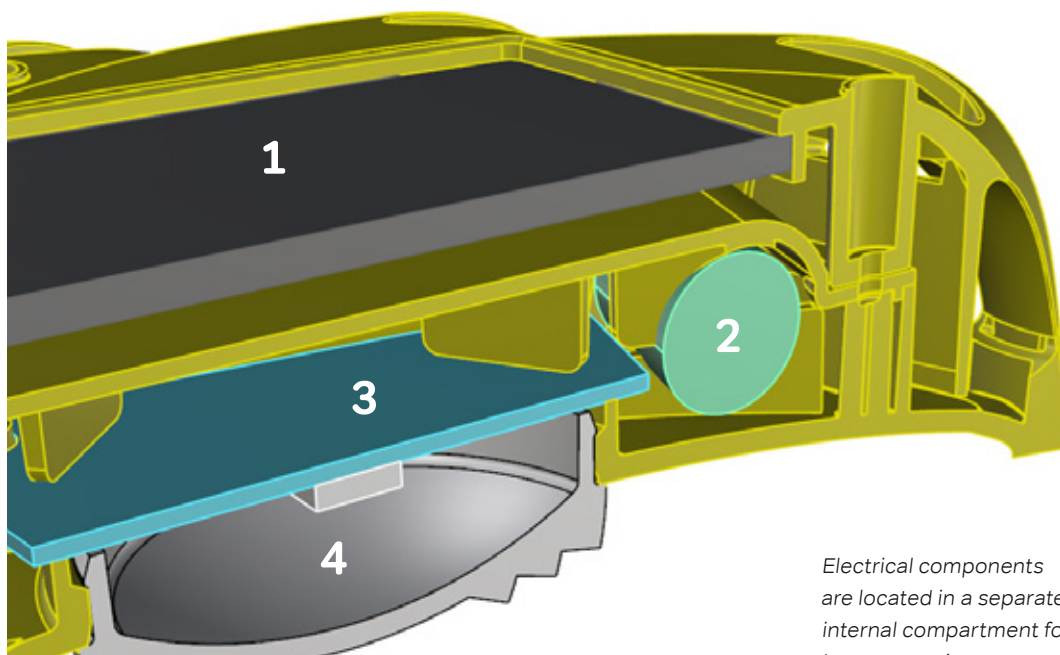


Little Sun Technical Specifications



Little Sun Original



Electrical components are located in a separate internal compartment for heat protection

- 1 Solar panel
- 2 Battery
- 3 PCB
- 4 LED

Dimensions	Diameter 12 cm, depth 2,9 cm	LED	Samsung. Colour: 4500K, slightly yellow.
Weight	96 g	Light Output and Duration	Charging Little Sun Original for a minimum of 5 hours in the sun gives you 4 hours bright light (25 lm); or, use dimmer to get the most out of your Little Sun (up to 50 hours or more at lowest level, 2 lm)
Main body	Manufactured in recyclable ABS, highly weather and UV resistant	Switch	Knitter-switch TSS 61 R LF with fluorescent silicone boot; advanced energy-saving dimming technology
Solar panel	60 x 60 mm monocrystalline solar panel made from highly efficient SunPower solar cells, 4.4V, 0.5 Watt	Charging & Use	To charge, place the Little Sun lamp in the sun with its solar panel facing upwards. Press once for bright light and twice to turn off. Hold button down to activate dimmer function
Battery	AA LiFePO ₄ , 3,2V rechargeable battery with 400 mAh		