

Sunmodule® SW 150 poly R6A



Produced in Germany,
the center for solar technology



TUV Power controlled:
Lowest measuring tolerance in industry



25 year linear performance warranty and
10 year product warranty



SolarWorld AG relies on Germany as its technology location, thereby ensuring sustainable product quality.

The TUV Rheinland Power controlled inspection mark guarantees that the nominal power indicated for solar modules is inspected at regular intervals and thus ensured. The deviation to TUV is maximum 2 percent.

With its linear performance warranty covering a period of 25 years, SolarWorld guarantees a maximum performance depression of 0.7% p.a., a significant added value compared to the two-phase warranties common in the industry. Therefore, the service certificate offers comprehensive protection for your investment in the long term.



We turn sunlight into power.

Sunmodule® SW 150 poly R6A

PERFORMANCE UNDER STANDARD TEST CONDITIONS (STC)*

		SW 150
Maximum power	P_{max}	150 Wp
Open circuit voltage	U_{oc}	22,5 V
Maximum power point voltage	U_{mpp}	18,3 V
Short circuit current	I_{sc}	8,81 A
Maximum power point current	I_{mpp}	8,27 A

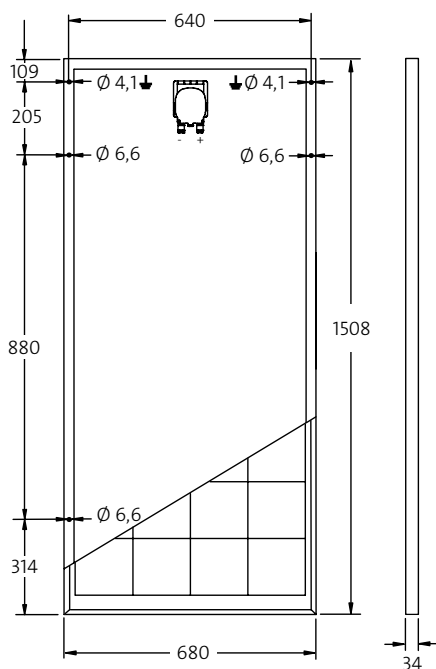
Measuring tolerance (P_{max}) traceable to TUV Rheinland: +/- 2% (TUV Power controlled)

*STC: 1000W/m², 25°C, AM 1.5

PERFORMANCE AT 800 W/m², NOCT, AM 1.5

		SW 150
Maximum power	P_{max}	110,1 Wp
Open circuit voltage	U_{oc}	20,5 V
Maximum power point voltage	U_{mpp}	16,6 V
Short circuit current	I_{sc}	7,17 A
Maximum power point current	I_{mpp}	6,62 A

Minor reduction in efficiency under partial load conditions at 25°C: at 200 W/m², 100% (+/-2%) of the STC efficiency (1000 W/m²) is achieved.



DIMENSIONS

Length	1508 mm
Width	680 mm
Height	34 mm
Frame	Aluminum
Weight	11.8 kg

COMPONENT MATERIALS

Cells per module	36
Cell type	Poly crystalline
Cell dimensions	156 mm x 156 mm
Front	tempered glass (EN 12150)

THERMAL CHARACTERISTICS

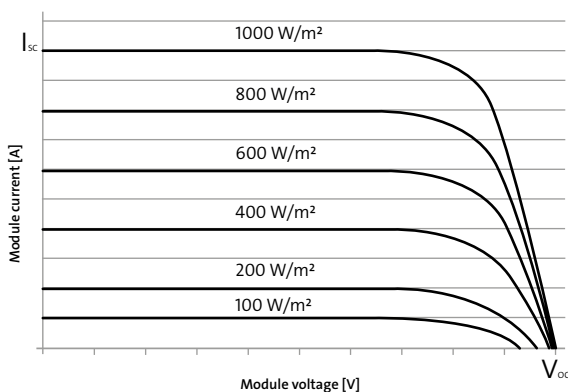
NOCT	46 °C
TC I_{sc}	0.081 %/K
TC U_{oc}	-0.37 %/K
TC P_{mpp}	-0.45 %/K

ADDITIONAL DATA

Power sorting	+/- 5 %
J-Box	IP65

PARAMETERS FOR OPTIMAL SYSTEM INTEGRATION

Maximum system voltage SC II	1000 V
Maximum reverse current	15 A
Load / dynamic load	5.4 / 2.4 kN/m ²
Number of bypass diodes	2
Operating range	-40 °C to +85 °C



- Ammonia resistance tested
- Periodic Inspection
- Power Controlled



- Qualified, IEC 61215
- Safety tested, IEC 61730
- Periodic Inspection
- Blowing sand resistant

